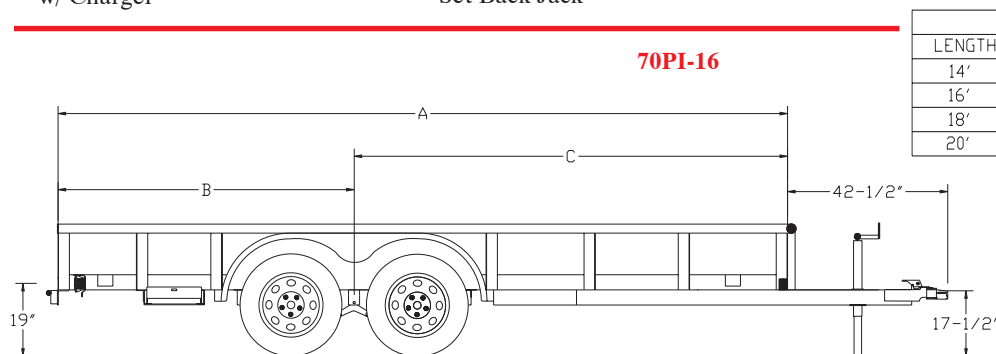


UTILITY PIPE TANDEM AXLE TRAILER

G.V.W.R.	7,000#	AXLES	Two 3500# Cambered w/ 1 Electric Brake
G.A.W.R. (EA. AXLE)	3,500#	SUSPENSION	Multi-Leaf Spring With Equalizer
COUPLER	7K 2" Bulldog Coupler	TIRE	ST205/75-15 Load Range C
SAFETY CHAINS	1/4" Grd. 70 w/Safety Latch Hook (2 ea.)	WHEEL	15 X 5 White Spoke 5 Bolt
JACK	2000# Top Wind (Bolted On)	FLOOR	2" Pine
TONGUE	4" Channel Fold Back Tongue	LIGHTS	D.O.T. Stop, Tail, Turn and Clearance
TOP RAIL	2-3/8" Pipe Square Back	ELEC. PLUG	6 Way
FRAME	3" X 4" X 1/4" Angle	FINISH (PREP)	Acid Etched w/White Phosphorus, Undercoated w/Panther 813 & Two Coats Primer
CROSSMEMBERS	2" X 3" X 3/16" Angle	FINISH	Painted w/2 Coats High Solid <i>Supreme</i> Acrylic Automotive Grade Enamel, and Pinstriped
UPRIGHTS	16" Tall 2" X 3" X 3/16" Angle		
FENDERS	9" X 72" Tear Drop w/ Back		

STANDARD FEATURES

- Lower Jack Support Plate
- Two 3500# Axles w/ 1 Electric Brake
- Complete Break-A-Way System w/ Charger
- 2-3/8" Pipe Top Rail Capped w/ Self-Sealing Plugs
- Fold Back Tongue (14' and longer)
- 4' Slide In Ramps
- Set Back Jack
- Bulldog Forged Coupler
- Safety Chains Attached w/ Cold Rolled Eyelets
- Floor Secured w/ 5/16" Torx Screws
- 4 Tie Down Pockets



DIMENSIONS			
LENGTH	A	B	C
14'	169-1/2"	66-1/2"	103"
16'	193-1/2"	78-1/2"	115"
18'	217-1/2"	90-1/2"	127"
20'	240"	102"	138"

PRICING

MODEL #	WEIGHT	DESCRIPTION
70PI-14	1670#	77" X 14' Tandem Axle Trailer
70PI-16	1770#	77" X 16' Tandem Axle Trailer
70PI-18	1895#	77" X 18' Tandem Axle Trailer
70PI-20	2020#	77" X 20' Tandem Axle Trailer

OPTIONS

BRK2	Electric Brakes On Two Axles
HYD1	Hydraulic Brakes On 1 Axle w/ Toledo Actuator
HYD2	Hydraulic Brakes On 2 Axles w/ Toledo Actuator
RG	Rampgate in Lieu of Ramps
XWT	Extra Wide (83" Bed) 102" Overall
SPMT	Spare Mount (Side)
SP	15" Spare Tire & Wheel
TU	Tire Upgrade to ST225/75D15 – Load Range C
SPU	Spare Tire & Wheel Upgrade -ST225/75D15 – Load Range C
AT2.5.16	2-5/16" Atwood Coupler
BD2.5.16	2-5/16" Bulldog Coupler
FUJ	2K Fold-Up Jack
HST	Higher Sides (Each Additional Foot)
ENEX	Enclosed w/ Expanded Metal (Per Sq. Ft.)
ENSH	Enclosed w/ Sheet Metal (Per Sq. Ft.) Changes Toprail to 2" Sq. Tube
SF	1/8" Diamond Plate Floor (Per Sq. Ft.)
SAR	Gas Spring Assist Option For Rampgate

Prices Effective October 1, 2004